



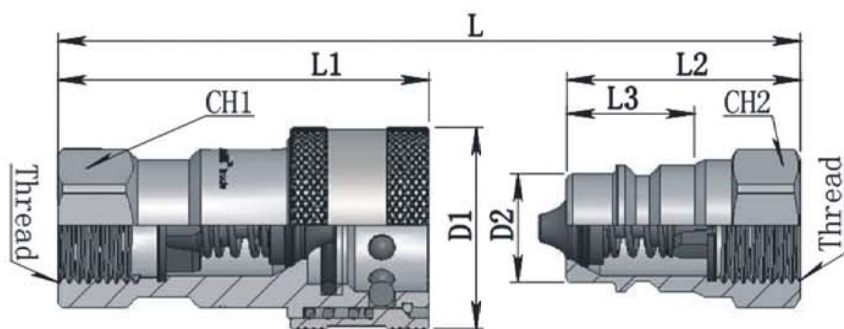
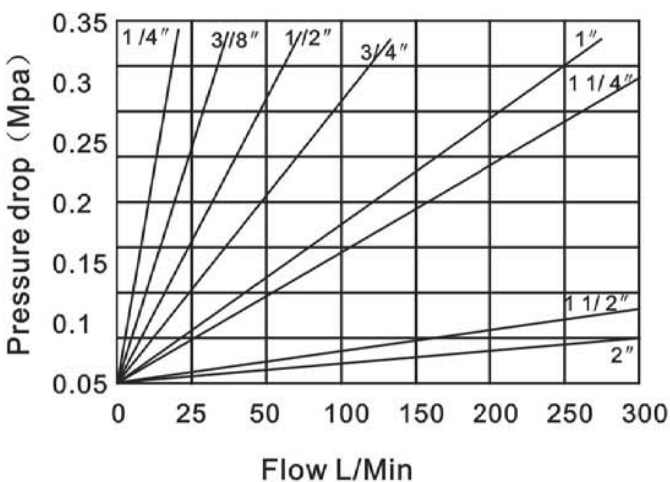
- 符合ISO7241-A 标准
- 双密封结构，在拆卸的情况下防止介质流出，方便维护
- 母体和公接均采用实心棒料加工，易磨部份淬火处理极大提升产品耐磨和冲击性能
- 耐用球锁机构，数颗淬火硬化钢球均匀的分散了工作应力，确保高压工作下也能可靠连接，公接头连接后在无压情况下可以转动以较直管子
- 高精度的加工，保证介质顺畅流通，减少因表面粗糙引起的漩涡，导致压力损失
- 可与PARKER 6600，HANSEN HA 15000，FASTER ANV，CEJN X95互换



- Comply to ISO7241-A standard
- Double shut-off construction to prevent uncoupled leakage, easy for maintenance
- Coupler and nipple are precision machined from steel solid bar and wear point hardened for resistance to damage by hydraulic surges and crash
- A great number of hardened ball distribute the workload evenly and resist wear and provide positive connections
- Precise tooling make sure the flow smooth ,minimize the flow drop
- Interchangeable with PARKER6600，HANSEN HA 15000，FASTER ANV，CEJN X95

技术规范SPECIFICATIONS

规格(英寸)Body Size(Inch)	1/4	3/8	1/2	3/4	1	1- 1/4	1- 1/2	2
额定压力(Mpa)Rated Pressure	34.5	27.6	27.6	17.3	13.8	7	7	7
额定流量(L/Min)Rated Flow	11	22	45	105	185	295	350	700
温度范围(丁腈) Temperture Range (NBR)	-20℃~ + 80℃							



PART NO .	ISO	Thread	L	L1	L2	D1	D2	Ch1	Ch2
JS-S1-G02	6.3	G1/4	71	50	35.5	26	11.8	19	19
JS-S1-G03	10	G3/8	76	56	36.5	31.5	17.2	22	22
JS-S1-G04	12.5	G1/2	90	66	44	39	20.5	27	27
JS-S1-G06	20	G3/4	108	80	56	48	29	34	34
JS-S1-G08	25	G1	119	93.5	59.5	58	34.3	41	41
JS-S1-G10	31.5	G1-1/4	140	105	70	69	45	50	50
JS-S1-G12	40	G1-1/2	150	115	75	74	55	56	56
JS-S1-G16	50	G2	216	131	82	94	65.1	77	77